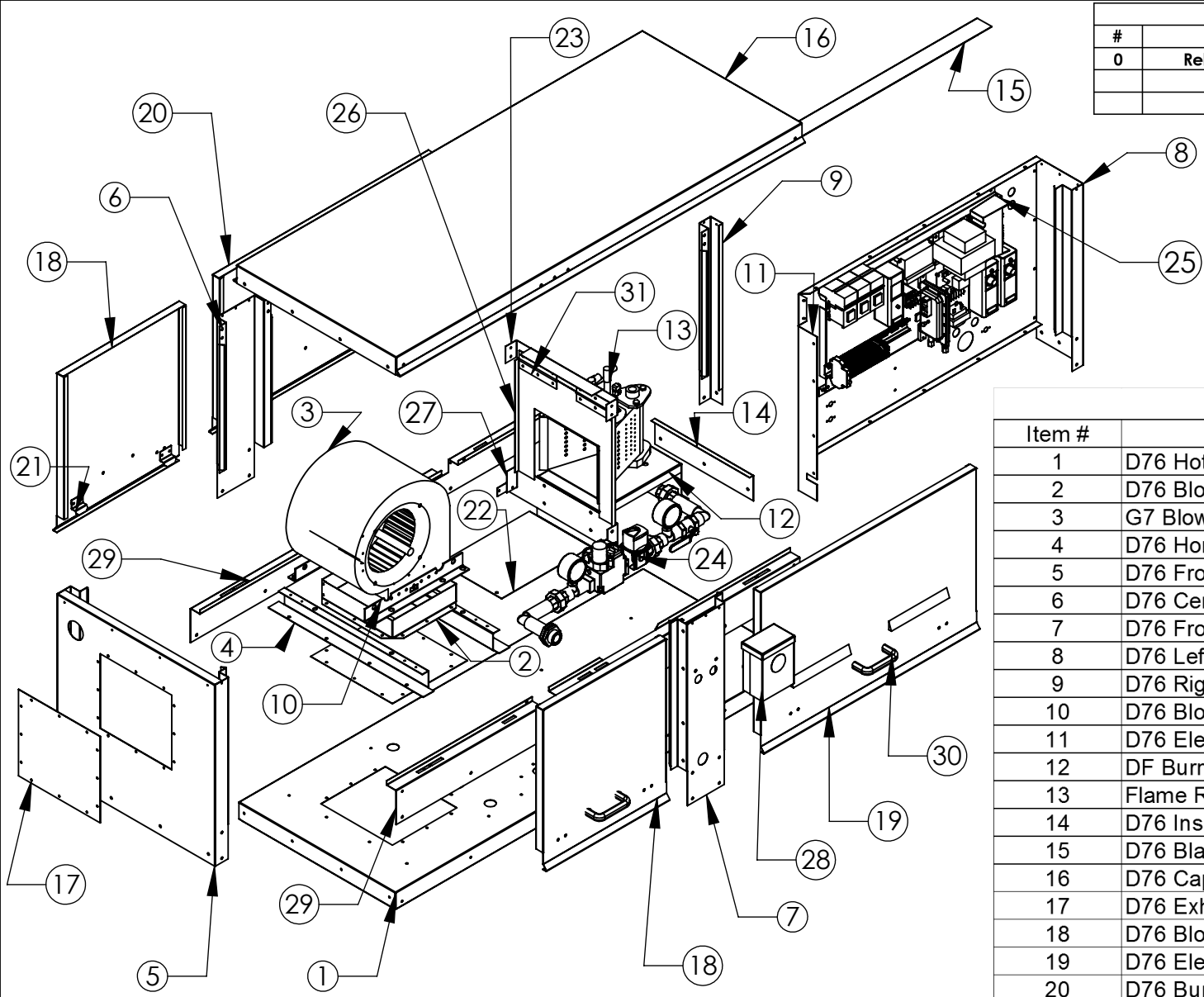


D76

Exploded  
View

8/5/2016

Revision History				
#	Description	Revised by	ECN#	Date
0	Released to production	DAM	2893	8/5/2016



Direct-Fired Part Information.

Item #	Description Of Part	Part#	#
1	D76 Hot Box Base	D76HBB	1
2	D76 Blower Blank	D76BLB	1
3	G7 Blower	G7	1
4	D76 Horizontal Support	D76HOS	2
5	D76 Front Panel	D76FRP	1
6	D76 Center Post	D76CPN	1
7	D76 Front Center Post	D76CPSW**	1
8	D76 Left Corner Post	D76LCP	1
9	D76 Right Corner Post	D76RCP	1
10	D76 Blower Brace	D76BBR	1
11	D76 Electric Cabinet	D76ELB	1
12	DF Burner Support	MDBSUP	1
13	Flame Rod	1190870	1
14	D76 Insulation Cap	D76INC	1
15	D76 Blank Plate Holder	D76BPH	1
16	D76 Cap	D76CAP*	1
17	D76 Exhaust Blank	D76EXB	1
18	D76 Blower Door	D76DOS	2
19	D76 Electrical Door	D76DOL	1
20	D76 Burner Door	D76DON	1
21	Door Hook	DOORHOOK	8
22	DF Floor Heat Shield	MDFRSD	1
23	D76 Burner Blank	D76BUB	1
24	D76 Gas Train	N/A	1
25	D76 Electric Panel	D76ELP	1
26	D76 Profile Plate B	D76PPB	1
27	D76 Profile Plate A	D76PPA	1
28	Disconnect		1
29	D76 Door Frame	D76DOF	2
30	Door Handle	P-50-1010	4
31	Profile Plate Springs	STS1122	2
Not Shown	Cabinet Seal	MD76CABSEAL	2

NOTES  
 Install D76EXB opposite of required discharge orientation  
 \*Use D76CAPM if unit has single phase motor  
 \*\* Use D76CPSW with Hubbel Switch. Use D76CPSRS with rotary switch